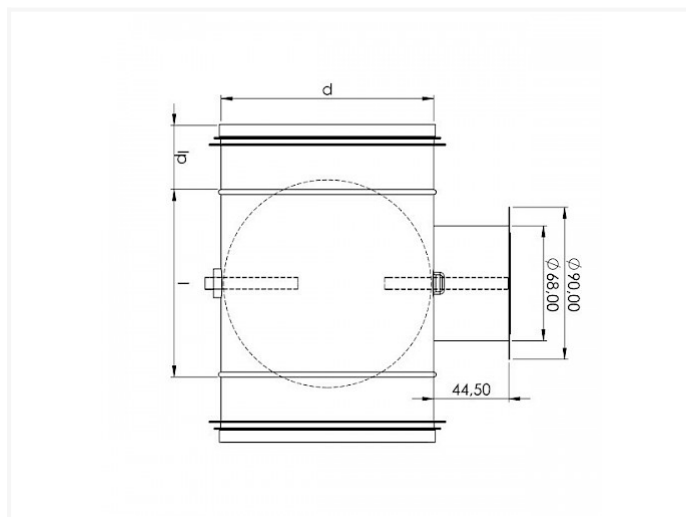


DSCX ~ Regelklep met rubber



Technische specificaties

DIAMETER D	I	KG	DOOS	STUKS
80	105	0.43	P12	30
100	105	0.46	P6	40
125	105	0.57	P6	27
140	105	0.60	P4	30
150	105	0.63	P4	30
160	105	0.66	P4	27
180	105	0.82	P4	20
200	105	0.95	P2	36
224	115	1.02	P2	30
250	115	1.21	P1	36
280	115	1.19	P1	32
300	115	1.43	P1	32
315	85	1.65	P1	28

DIAMETER D	I	KG	DOOS	STUKS
355	85	1.80	P1	20
400	85	2.00	P1	15
450	80	2.85	P1	10
500	80	3.52	P2	4
560	80	4.26	P1	5
630	80	5.21	P1	4
710	80	5.83	P1	5
800	95	6.86	P1	

≤ diameter 125: met 1 as

> diameter 125: met 2 assen