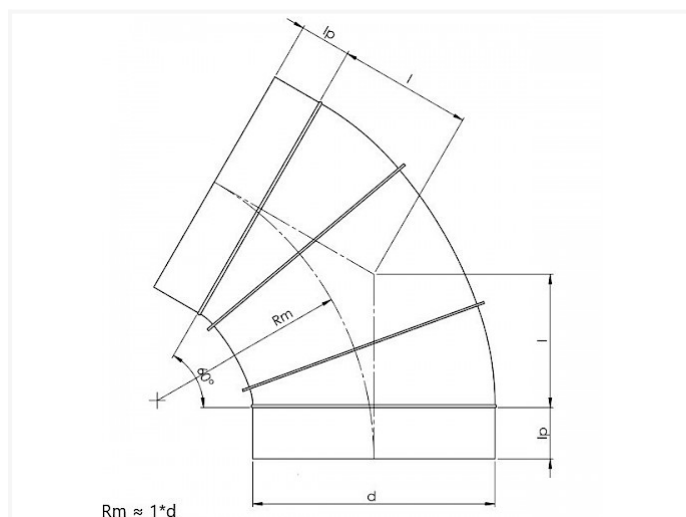


# B6B S ~ Segmentbocht 60°



## Technische specificaties

DIAMETER D	l	KG	DOOS	STUKS
224 S	130	1	P1	30
250 S	145	1,24	P2	10
280 S	160		-	1
300 S	175	1,77	-	1
315 S	185	1,81	P1	10
355 S	205	2,33	P1	8
400 S	235	3.28	P1	4
450 S	260	4.18	PL	4
500 S	290	6.29	-	1
560 S	325	8.34	-	1
630 S	365	10.39	-	1