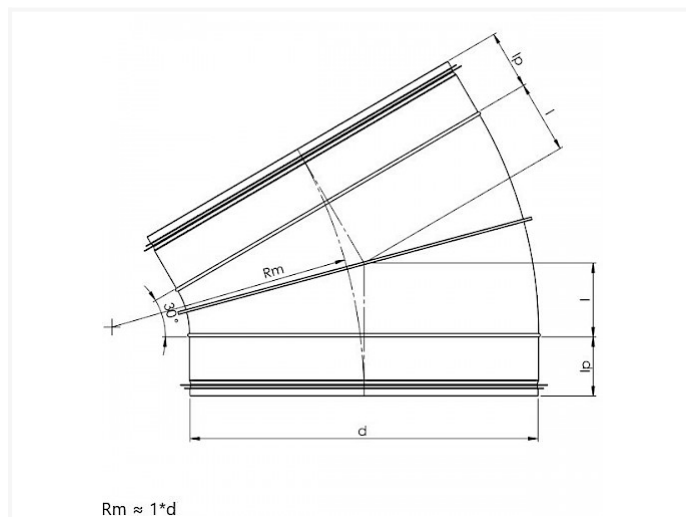


B3X S ~ Segmentbocht 30° met rubber



Technische specificaties

DIAMETER D	l	KG	DOOS	STUKS
224 S	60	0,71	P4	12
250 S	67	0,83	P1	40
280 S	75	1,01	P1	25
300 S	80	1.08	P2	10
315 S	85	1.14	P2	8
355 S	95	1,40	P1	12
400 S	110	2.00	P1	10
450 S	120	2.60	-	1
500 S	135	3.85	-	1
560 S	150	4.52	-	1
630 S	170	5.32	-	1
710 S	190	7.86	-	1
800 S	220	9.41	-	1