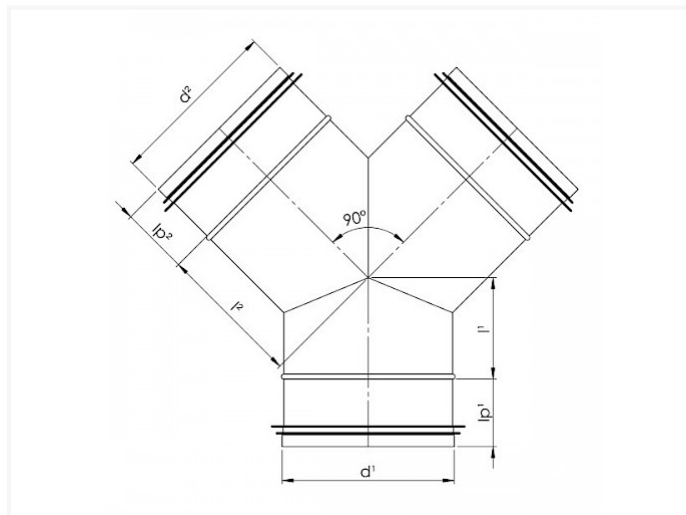


## YX ~ Twin bend 90° with gasket



## Technical specifications

DIAMETER	D1	D2	IP1	I1	IP2	I2	KG	DOOS	STUKS
100 100	100	100	35	55	35	85			
125 125	125	125	35	60	35	97	0.50		