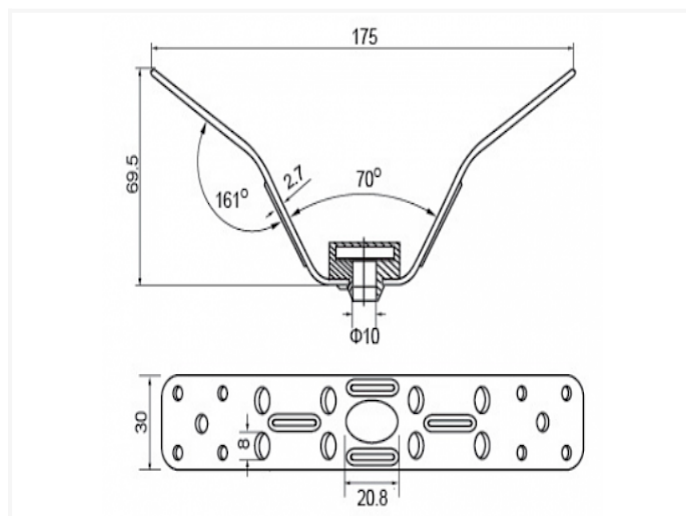


U1 ~ U-type suspension with schok-absorbing rubber



Technical specifications

CODE	PIECES	KG
U1	100	0.09

- material: Q235 steel with zinc plating
- PVC rubber absorber with M10 hole for thread rod