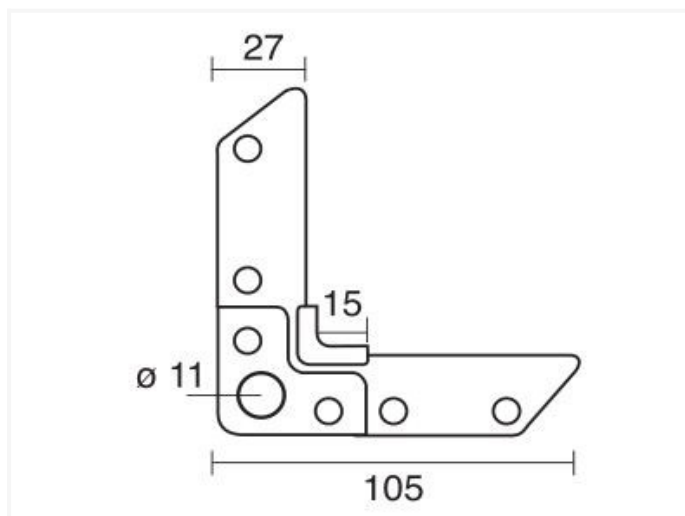


# H30 Inox ~ Corner for E30 INOX (stainless steel 304)



## Technical specifications

CODE	THICKNESS	PIECES
H30 INOX	2,70mm	250