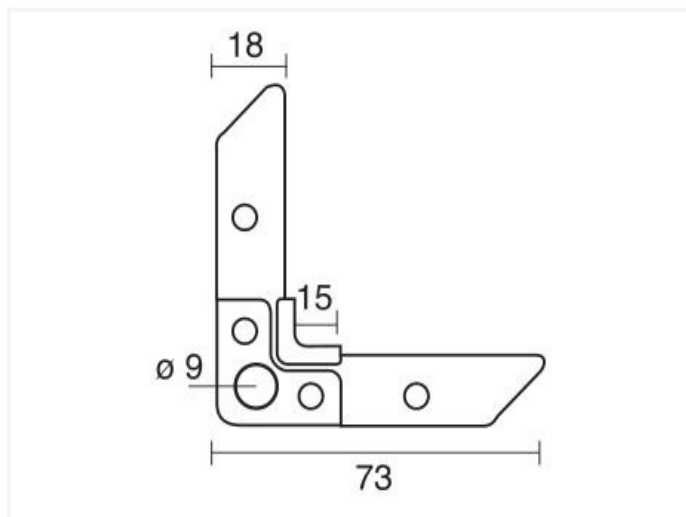


## H20 Alu ~ Corner for E20 ALU (alu)



### Technical specifications

CODE	THICKNESS	PIECES
H20 ALU	2,50mm	500