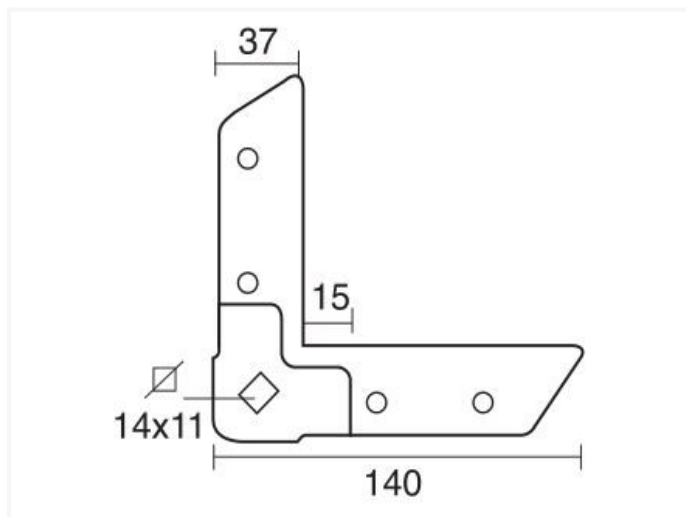


## H40 ~ Corner for E40 (galva)



### Technical specifications

CODE	THICKNESS	PIECES
H40	3,00mm	100