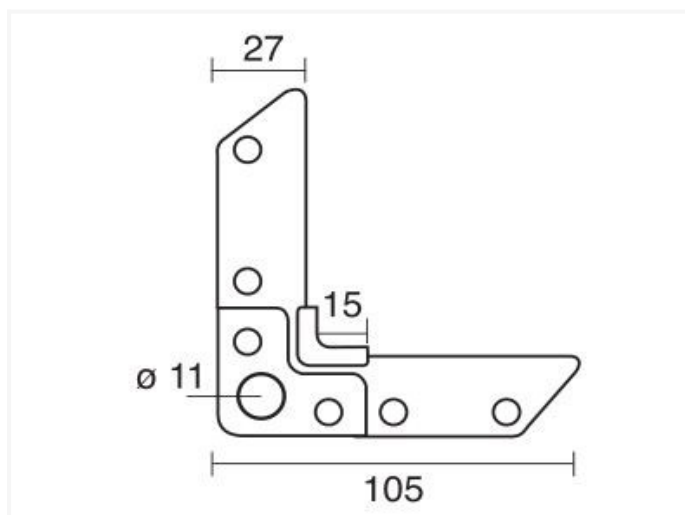


H30 ~ Corner for E30 (galva)



Technical specifications

CODE	THICKNESS	PIECES
H30	3,00mm	250