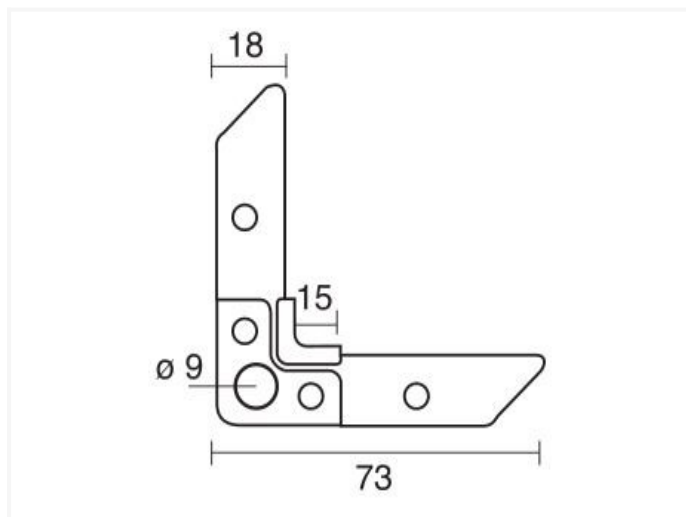


H20 ~ Corner for E20 (galva)



Product specifications

CODE	THICKNESS	PIECES
H20	2,50mm	500