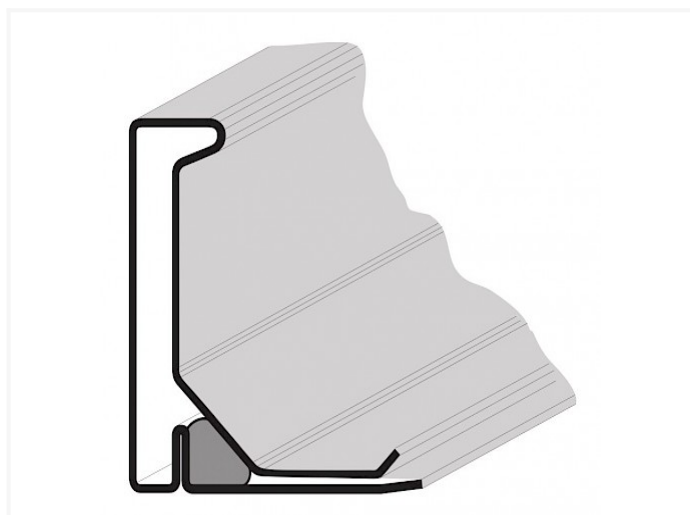
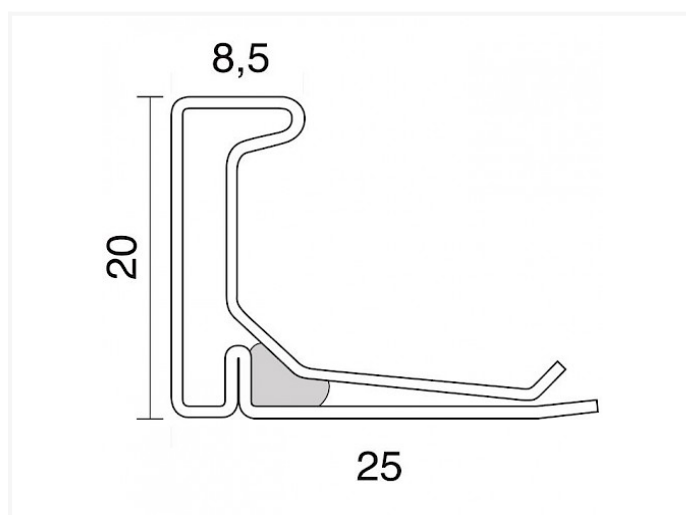


E20 INOX ~ Flange E20 for rectangular duct (stainless steel 304)



Technical specifications

CODE	THICKNESS	METER
E20 Inox	0,72mm	500m
E20 Inox Z	0,72mm	500m