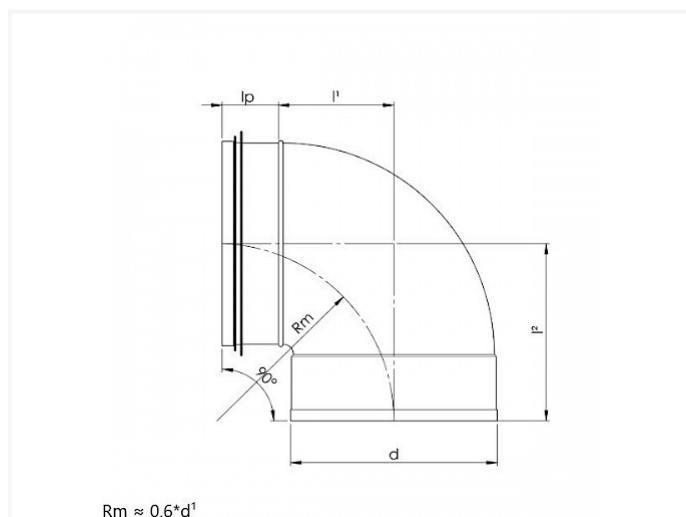


# BKF9X ~ Pressed short bend 90° M-F with gasket



## Technical specifications

SIZE D	l1	l2	KG	BOX	PIECES
80	48	83	0,15	P6	42
100	60	95	0,26	P6	50
125	75	110	0,37	P6	30
150	90	125	0,42	P4	25
160	96	131	0,56	"P6	15
200	120	155	0,67	P4	13