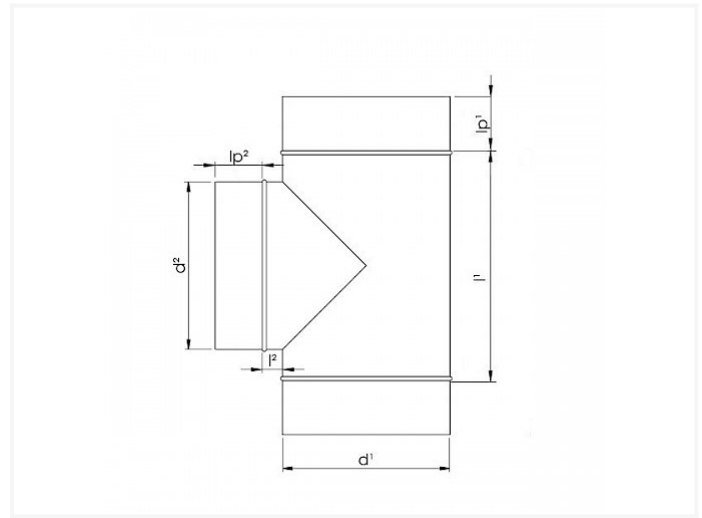


TB ~ T-Stück 90°



Technische Daten

| DURCHMESSER | D1 | D2 | IP1 | l1 | IP2 | l2 | KARTON | STÜCK |
|-------------|-----|----|-----|-----|-----|----|--------|-------|
| 80 80 | 80 | 80 | 35 | 150 | 35 | 10 | P6 | 51 |
| 100 80 | 100 | 80 | 35 | 150 | 35 | 10 | P2 | 110 |
| 125 80 | 125 | 80 | 35 | 150 | 35 | 12 | P2 | 72 |
| 140 80 | 140 | 80 | 35 | 150 | 35 | 15 | P2 | 62 |
| 150 80 | 150 | 80 | 35 | 150 | 35 | 10 | P2 | 45 |
| 160 80 | 160 | 80 | 35 | 150 | 35 | 5 | P2 | 50 |
| 180 80 | 180 | 80 | 35 | 150 | 35 | 5 | P2 | 160 |
| 200 80 | 200 | 80 | 35 | 150 | 35 | 5 | P2 | 33 |
| 224 80 | 224 | 80 | 35 | 150 | 35 | 5 | P1 | 52 |
| 250 80 | 250 | 80 | 35 | 150 | 35 | 5 | P1 | 52 |
| 280 80 | 280 | 80 | 35 | 150 | 35 | 5 | P1 | 30 |
| 300 80 | 300 | 80 | 35 | 150 | 35 | 5 | P1 | 21 |
| 315 80 | 315 | 80 | 35 | 150 | 35 | 5 | P1 | 21 |

| DURCHMESSER | D1 | D2 | IP1 | I1 | IP2 | I2 | KARTON | STÜCK |
|-------------|-----|-----|-----|-----|-----|----|--------|-------|
| 100 100 | 100 | 100 | 35 | 170 | 35 | 10 | P2 | 84 |
| 125 100 | 125 | 100 | 35 | 170 | 35 | 12 | P2 | 60 |
| 140 100 | 140 | 100 | 35 | 170 | 35 | 20 | P2 | 46 |
| 150 100 | 150 | 100 | 35 | 170 | 35 | 25 | P2 | 40 |
| 160 100 | 160 | 100 | 35 | 170 | 35 | 10 | P2 | 42 |
| 180 100 | 180 | 100 | 35 | 170 | 35 | 10 | P2 | 30 |
| 200 100 | 200 | 100 | 35 | 170 | 35 | 10 | P2 | 27 |
| 224 100 | 224 | 100 | 35 | 170 | 35 | 8 | P2 | 20 |
| 250 100 | 250 | 100 | 35 | 170 | 35 | 10 | P1 | 30 |
| 280 100 | 280 | 100 | 35 | 170 | 35 | 10 | P1 | 39 |
| 300 100 | 300 | 100 | 35 | 170 | 35 | 10 | P1 | 24 |
| 315 100 | 315 | 100 | 35 | 170 | 35 | 8 | P1 | 24 |
| 125 125 | 125 | 125 | 35 | 195 | 35 | 12 | P2 | 52 |
| 140 125 | 140 | 125 | 35 | 195 | 35 | 10 | P2 | 45 |
| 150 125 | 150 | 125 | 35 | 195 | 35 | 10 | P2 | 39 |
| 160 125 | 160 | 125 | 35 | 195 | 35 | 10 | P2 | 34 |
| 180 125 | 180 | 125 | 35 | 195 | 35 | 10 | P2 | 30 |
| 200 125 | 200 | 125 | 35 | 195 | 35 | 10 | P2 | 24 |
| 224 125 | 224 | 125 | 35 | 195 | 35 | 10 | P1 | 40 |
| 250 125 | 250 | 125 | 35 | 195 | 35 | 10 | P1 | 36 |
| 280 125 | 280 | 125 | 35 | 195 | 35 | 15 | P1 | 30 |
| 300 125 | 300 | 125 | 35 | 195 | 35 | 10 | P1 | 21 |
| 315 125 | 315 | 125 | 35 | 195 | 35 | 12 | P1 | 16 |
| 140 140 | 140 | 140 | 35 | 210 | 35 | 45 | P2 | 33 |
| 150 140 | 150 | 140 | 35 | 210 | 35 | 45 | P2 | 33 |

| DURCHMESSER | D1 | D2 | IP1 | I1 | IP2 | I2 | KARTON | STÜCK |
|-------------|-----|-----|-----|-----|-----|----|--------|-------|
| 160 140 | 160 | 140 | 35 | 210 | 35 | 45 | P2 | 33 |
| 180 140 | 180 | 140 | 35 | 210 | 35 | 45 | P2 | 29 |
| 200 140 | 200 | 140 | 35 | 210 | 35 | 45 | P1 | 29 |
| 224 140 | 224 | 140 | 35 | 210 | 35 | 45 | P1 | 26 |
| 250 140 | 250 | 140 | 35 | 210 | 35 | 45 | P1 | 24 |
| 280 140 | 280 | 140 | 35 | 210 | 35 | 45 | P1 | 18 |
| 300 140 | 300 | 140 | 35 | 210 | 35 | 45 | P1 | 16 |
| 315 140 | 315 | 140 | 35 | 210 | 35 | 45 | P1 | 14 |
| 150 150 | 150 | 150 | 35 | 220 | 35 | 10 | P2 | 33 |
| 160 150 | 160 | 150 | 35 | 220 | 35 | 10 | P2 | 33 |
| 180 150 | 180 | 150 | 35 | 220 | 35 | 25 | P2 | 29 |
| 200 150 | 200 | 150 | 35 | 220 | 35 | 5 | P1 | 34 |
| 224 150 | 224 | 150 | 35 | 220 | 35 | 45 | P1 | 24 |
| 250 150 | 250 | 150 | 35 | 220 | 35 | 15 | P1 | 24 |
| 280 150 | 280 | 150 | 35 | 220 | 35 | 15 | P1 | 18 |
| 300 150 | 300 | 150 | 35 | 220 | 35 | 15 | P1 | 16 |
| 315 150 | 315 | 150 | 35 | 220 | 35 | 45 | P1 | 14 |
| 160 160 | 160 | 160 | 35 | 230 | 35 | 10 | P2 | 28 |
| 180 160 | 180 | 160 | 35 | 230 | 35 | 25 | P2 | 20 |
| 200 160 | 200 | 160 | 35 | 230 | 35 | 15 | P1 | 34 |
| 224 160 | 224 | 160 | 35 | 230 | 35 | 15 | P1 | 26 |
| 250 160 | 250 | 160 | 35 | 230 | 35 | 15 | P1 | 24 |
| 280 160 | 280 | 160 | 35 | 230 | 35 | 15 | P1 | 19 |
| 300 160 | 300 | 160 | 35 | 230 | 35 | 15 | P1 | 16 |
| 315 160 | 315 | 160 | 35 | 230 | 35 | 15 | P1 | 16 |

| DURCHMESSER | D1 | D2 | IP1 | I1 | IP2 | I2 | KARTON | STÜCK |
|-------------|-----|-----|-----|-----|-----|----|--------|-------|
| 180 180 | 180 | 180 | 35 | 250 | 35 | 45 | P1 | 35 |
| 200 180 | 200 | 180 | 35 | 250 | 35 | 45 | P1 | 34 |
| 224 180 | 224 | 180 | 35 | 250 | 35 | 45 | P1 | 25 |
| 250 180 | 250 | 180 | 35 | 250 | 35 | 45 | P1 | 22 |
| 280 180 | 280 | 180 | 35 | 250 | 35 | 45 | P1 | 17 |
| 300 180 | 300 | 180 | 35 | 250 | 35 | 45 | P1 | 14 |
| 315 180 | 315 | 280 | 35 | 250 | 35 | 45 | P1 | 14 |
| 200 200 | 200 | 200 | 35 | 270 | 35 | 10 | P1 | 34 |
| 224 200 | 224 | 200 | 35 | 270 | 35 | 20 | P1 | 26 |
| 250 200 | 250 | 200 | 35 | 270 | 35 | 20 | P1 | 22 |
| 280 200 | 280 | 200 | 35 | 270 | 35 | 20 | P1 | 17 |
| 300 200 | 300 | 200 | 35 | 270 | 35 | 20 | P1 | 14 |
| 315 200 | 315 | 200 | 35 | 270 | 35 | 25 | P1 | 14 |
| 224 224 | 224 | 224 | 35 | 294 | 35 | 45 | P1 | 22 |
| 250 224 | 250 | 224 | 35 | 294 | 35 | 45 | P1 | 18 |
| 280 224 | 280 | 224 | 35 | 294 | 35 | 45 | P1 | 14 |
| 300 224 | 300 | 224 | 35 | 294 | 35 | 45 | P1 | 12 |
| 315 224 | 315 | 224 | 35 | 294 | 35 | 45 | P1 | 12 |
| 250 250 | 250 | 250 | 35 | 320 | 35 | 25 | P1 | 19 |
| 280 250 | 280 | 250 | 35 | 320 | 35 | 25 | P1 | 14 |
| 300 250 | 300 | 250 | 35 | 320 | 35 | 25 | P1 | 12 |
| 315 250 | 315 | 250 | 35 | 320 | 35 | 25 | P1 | 12 |
| 280 280 | 280 | 280 | 35 | 350 | 35 | 45 | P1 | 10 |
| 300 280 | 300 | 280 | 35 | 350 | 35 | 45 | P1 | 10 |
| 315 280 | 315 | 280 | 35 | 350 | 35 | 45 | P1 | 9 |

| DURCHMESSER | D1 | D2 | IP1 | I1 | IP2 | I2 | KARTON | STÜCK |
|-------------|-----|-----|-----|------------|-----|----|--------|-------|
| 300 300 | 300 | 300 | 35 | 370 | 35 | 45 | P1 | 11 |
| 315 300 | 315 | 300 | 35 | 370 | 35 | 45 | P1 | 9 |
| 315 315 | 315 | 315 | 35 | 385 | 35 | 30 | P1 | 9 |
| 400 315 | 400 | 315 | 35 | 385 | 35 | 30 | | |
| 355 355 | 355 | 355 | 35 | 425 | 35 | 45 | P1 | 5 |
| 400 400 | 400 | 400 | 35 | 485 | 35 | 50 | | |